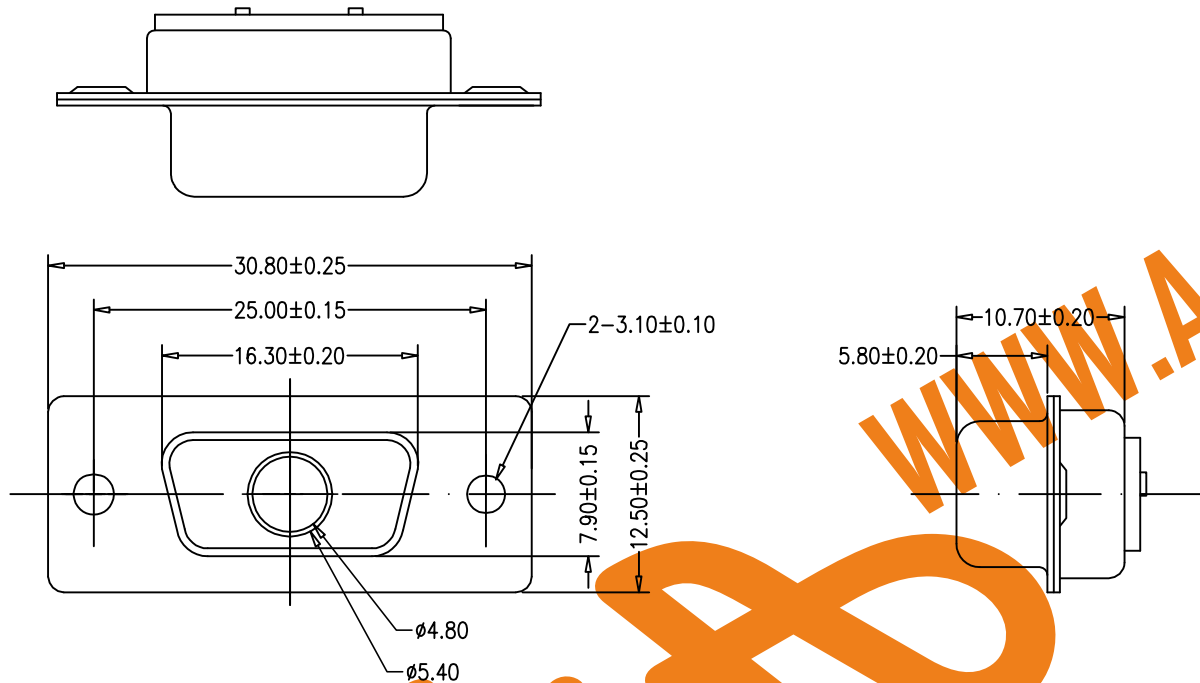


Coaxial D-SUB 1W1 FEMALE Solder Cup

ROHS COMPLIANT



ELECTRICAL CHARACTERISTICS:

Dielectric withstanding Voltage: AC 1000V r.m.s.
 Insulation Resistance: 500 Megohms Minimum at DC 500V
 Contact Resistance: 25 Milliohms
 Operating Temperature: -20°C ~ +85°C

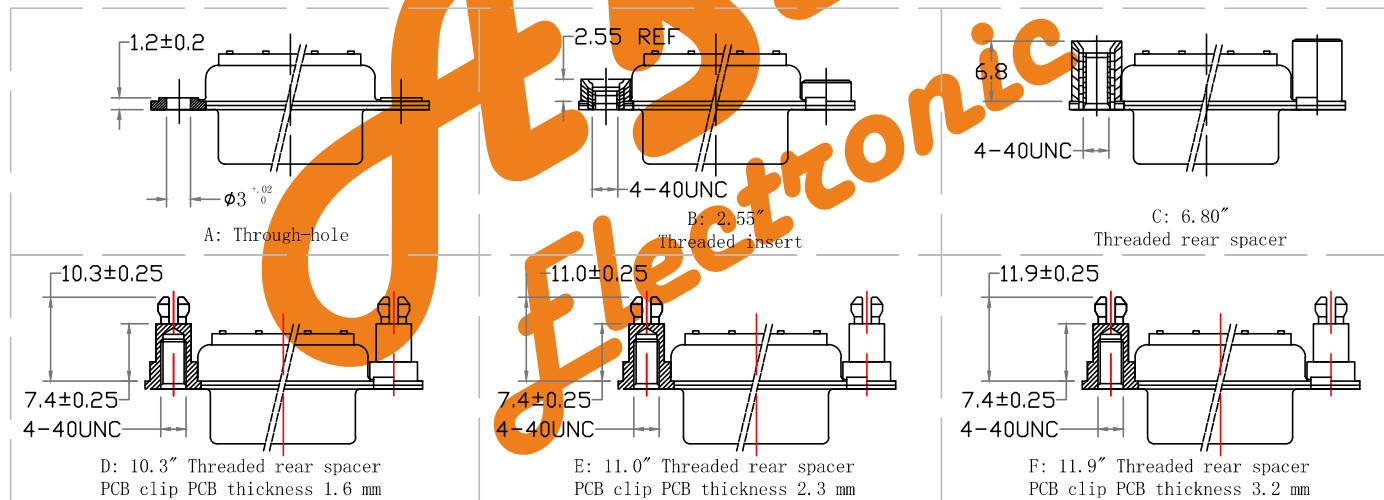
MATERIALS:

Insulator: PBT, UL 94V-0 Rated
 Shell: Cold Roller Steel

Ordering Code:

PDC1W1 -F -G0 -B -X -00
 ① ② ③ ④ ⑤ ⑥

- ① Series
- ② Contact Type:
M: Male F: Female
- ③ Contact NO.:
G0: Gold flash G1: 3u" Gold
G2: 5u" Gold G3: 10u" Gold
G4: 15u" Gold G5: 30u" Gold
- ④ Insulation Color Code:
B: Black L: Blue
W: White
- ⑤ Mounting Option:
A: Through-hole
B: 2.55" Threaded insert
C: 6.80" Threaded rear spacer
D: 10.3" Threaded rear spacer
E: 11.0" Threaded rear spacer
F: 11.9" Threaded rear spacer
PCB clip
- ⑥ Series



| | | |
|---|----------|---|
| Unless Otherwise specified tolerance X.±0.35 X.X:±0.25 X.XX:±0.20 X.XXX:±0.15 | | ASA Electronic Co. WWW.ASA-Elec.com Tel : (+98) 21 66 73 56 82 Mob : (+98) 912 03 161 02 |
| SCALE: 1:1 | UNIT: mm | |
| DRAWN: junfon H | | TITLE: |
| CHECKED: YANG | | Coaxial D-SUB 1W1 FEMALE Solder Cup |

| | | |
|-----|-----------------------|---------|
| REV | Add option of plating | 10/7/17 |
| 1 | DESCRIPTION | DATE |

| | |
|--------------------------|----------------------------|
| 3rd ANGLE PROJECTION | DRAWING NO: PDC1W1-FXXXX00 |
| | PRODUCT NO: PDC1W1-FXXXX00 |